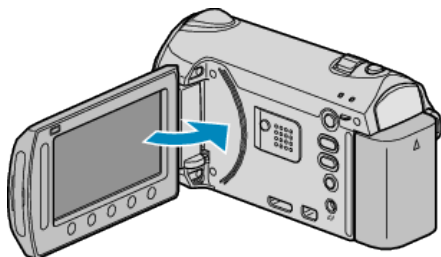


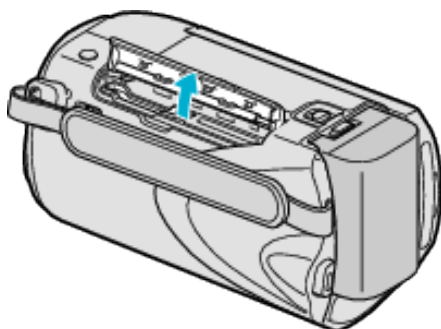
Inserting an SD Card

When a commercially available SD card is inserted, recordings can still be made to the card without stopping when the remaining recording time on the built-in memory runs out.

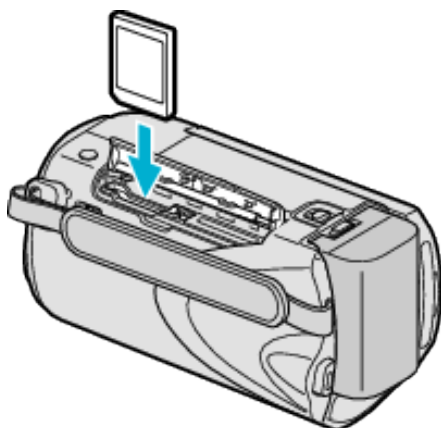
- 1 Close the LCD monitor.



- 2 Open the slot cover.



- 3 Insert an SD card.



- Insert with the label facing outward.

Warning

- Make sure not to insert the card in the wrong direction. It may cause damage to the unit and card.
- Turn off the power of this unit before inserting or removing a card.
- Do not touch the metal contact area when inserting the card.

Memo:

- To record to the card, it is necessary to perform media settings. When no card is available, set media settings to "BUILT-IN MEMORY" for recording.
- To use cards that have been used on other devices, it is necessary to format (initialize) the card using "FORMAT SD CARD" from media settings.

Removing the Card

Push the SD card inward once, then pull it out straight.

